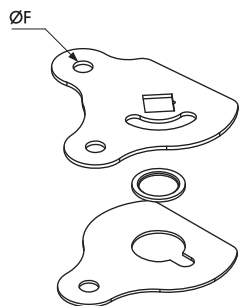


Padlock not included

LKB FOR GM - GN

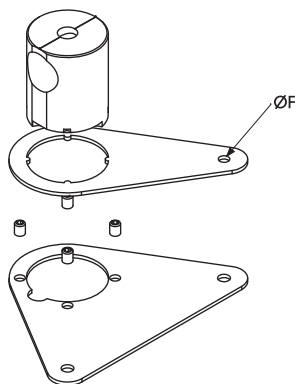
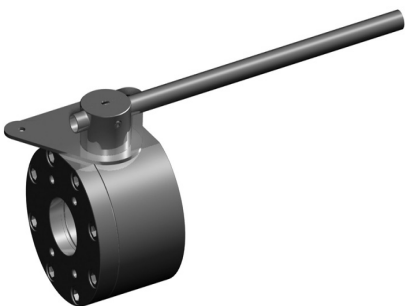
TYPE	DN	SW	ØF	MATERIAL	TREATMENT	WEIGHT Kg	KIT CODE
LK6-B	6-10-13	9	9,5	CARBON STEEL	GALVANIZED	0,178	KMK00LK6B2Z
LK6-B	6-10-13	9	9,5	STAINLES STEEL	-	0,178	KMK00LK6B6H
LK20-B	20-25	14	10,5	CARBON STEEL	GALVANIZED	0,413	KMK00LK20B2Z
LK20-B	20-25	14	10,5	STAINLES STEEL	-	0,413	KMK00LK20B6H
LK40-B	32-40-50	14	10,5	CARBON STEEL	GALVANIZED	0,53	KMK00LK40B2Z
LK40-B	32-40-50	14	10,5	STAINLES STEEL	-	0,53	KMK00LK40B6H



Padlock not included

LKF FOR GE - GPK - GM - GN - GVP - GB - GHP - G3/4K

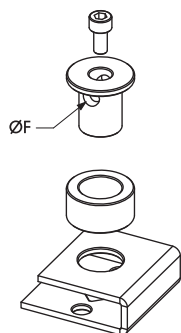
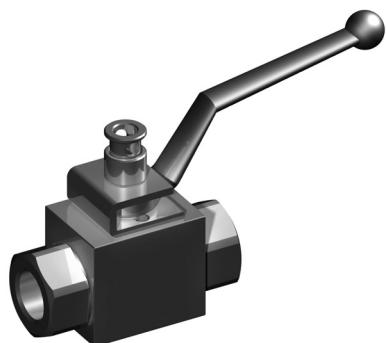
TYPE	DN	SW	ØF	MATERIAL	TREATMENT	WEIGHT Kg	KIT CODE
LK6-F	6-10-13	9	9,5	CARBON STEEL	GALVANIZED	0,043	KOK00LK6F2Z
LK6-F	6-10-13	9	9,5	STAINLES STEEL	-	0,043	KOK00LK6F6H
LK20-F	20-25	14	9,5	CARBON STEEL	GALVANIZED	0,121	KOK00LK20F2Z
LK20-F	20-25	14	9,5	STAINLES STEEL	-	0,121	KOK00LK20F6H
LK32-F	32-40-50	17	9,5	CARBON STEEL	GALVANIZED	0,187	KOK00LK32F2Z
LK32-F	32-40-50	17	9,5	STAINLES STEEL	-	0,187	KOK00LK32F6H



LKF FOR GR

TYPE	DN	SW	ØF	MATERIAL	TREATMENT	WEIGHT Kg	KIT CODE
LK65-F	65-80	19	9,5	CARBON STEEL	GALVANIZED	1,166	KOK00LK65F2Z
LK65-F	65-80	19	9,5	STAINLESS STEEL	-	1,166	KOK00LK65F6H
LK100-F	100	24	9,5	CARBON STEEL	GALVANIZED	3,957	KOK00LK100F2Z
LK100-F	100	24	9,5	STAINLESS STEEL	-	3,957	KOK00LK100F6H

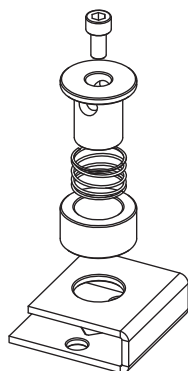
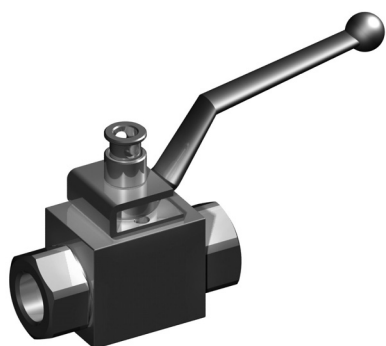
"The company reserves the right to operate dimensional changes without prior notice".



Padlock not included

LKU FOR GE - GB - GHP - GPK - G3/4K

TYPE	DN	SW	ØF	MATERIAL	TREATMENT	WEIGHT Kg	KIT CODE
LK6-U	6-10-13	9	6,25	CARBON STEEL	GALVANIZED	0,065	KOK00LK6U2Z
LK20-U	20-25	14	8,1	CARBON STEEL	GALVANIZED	0,219	KOK00LK20U2Z
LK32-U	32-40-50	17	8,1	CARBON STEEL	GALVANIZED	0,241	KOK00LK32U2Z



SECURITY BLOCK FOR GE - GB - GHP - GPK - G3/4K

TYPE	DN	SW	MATERIAL	TREATMENT	WEIGHT Kg	KIT CODE
SB6	6-10-13	9	CARBON STEEL	GALVANIZED	0,066	KOB00SB61Z
SB20	20-25	14	CARBON STEEL	GALVANIZED	0,221	KOB00SB201Z
SB32	32-40-50	17	CARBON STEEL	GALVANIZED	0,24	KOB00SB321Z

"The company reserves the right to operate dimensional changes without prior notice".